

# SERIES 70

Square and Rectangular Flap Gates



## Application

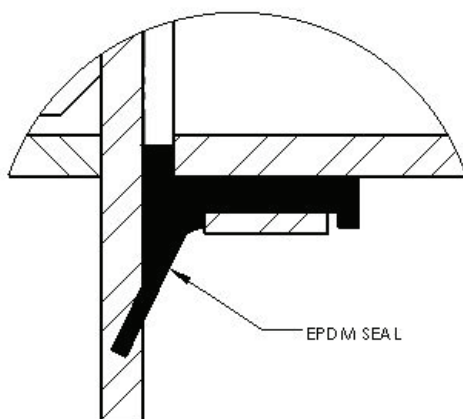
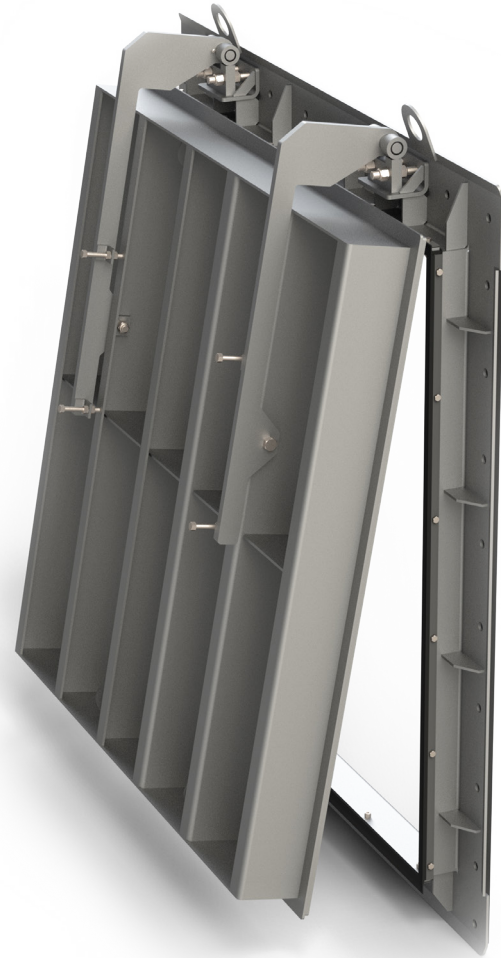
Flap Gates SERIES 70 are designed to prevent the reverse flow of water through an opening. They feature adjustable hinges, which control the force needed to open the flap. A resilient lip seal is used to achieve low leakage between the frame and flap. Several different models are available for specific applications.

## Quality materials

All Aquanox SERIES 70 Flap Gates are made with high quality materials, such as 304/304L or 316/316L grade stainless steel, ensuring the best corrosion resistance for a long life in the toughest environments with virtually no maintenance required.

## Ease of installation

These SERIES 70 wall mounted gates have been designed with contractors in mind and are very easy to install with the use of the thick wall gasket and standardized components. Many different mounting options are offered to match the specific needs of each application.



## Mountings

The frame is manufactured for mounting either directly to concrete or to pre-cast wall thimble. Figure 70-03 and Details 70-03, 04 show these types of mounting.

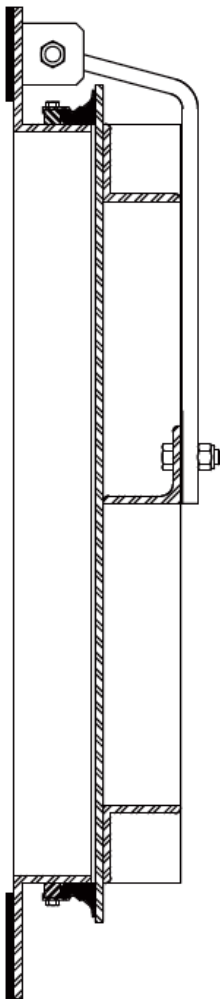
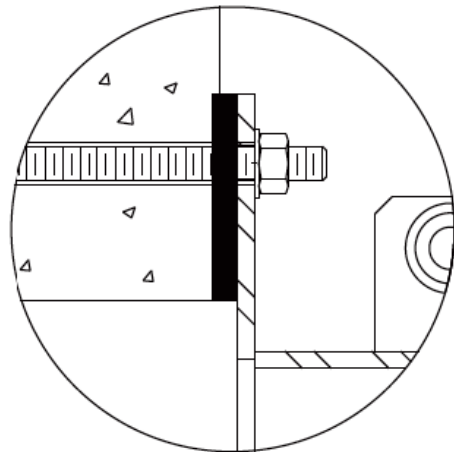
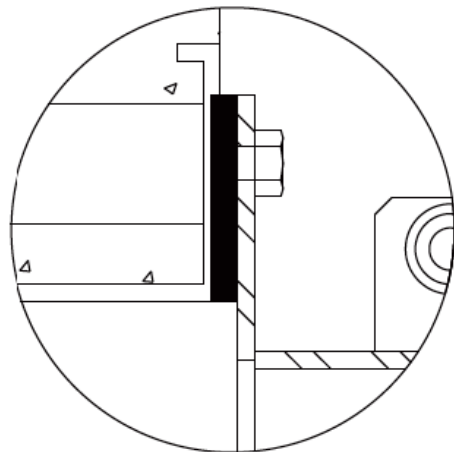


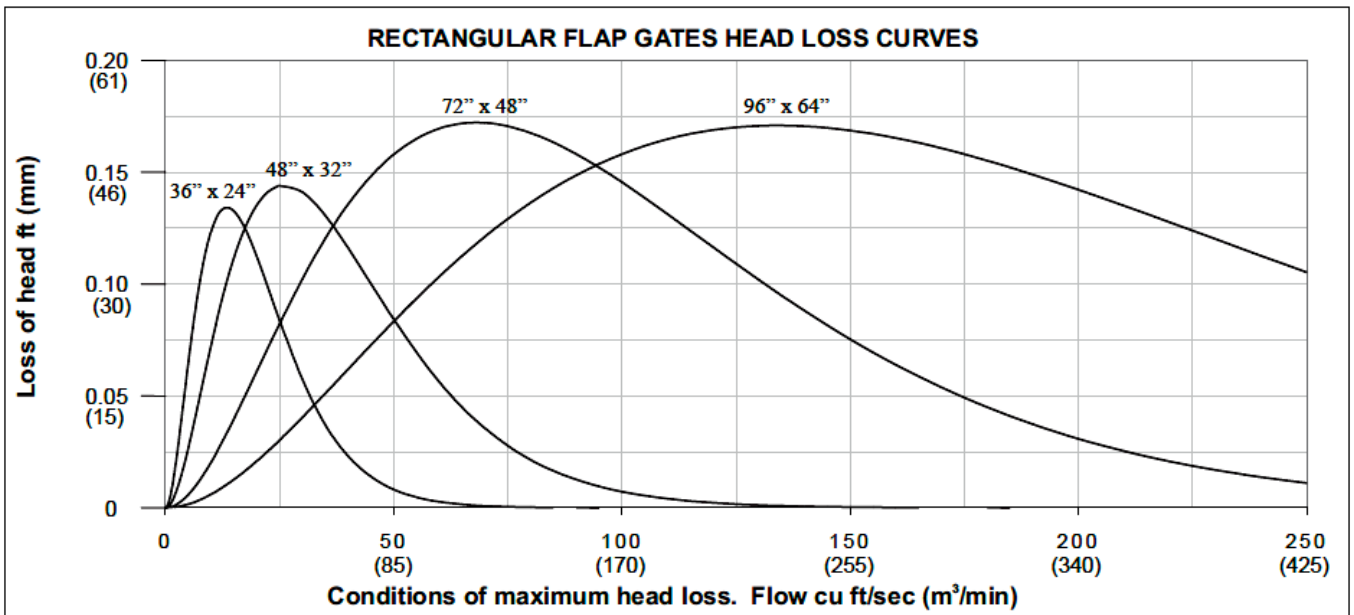
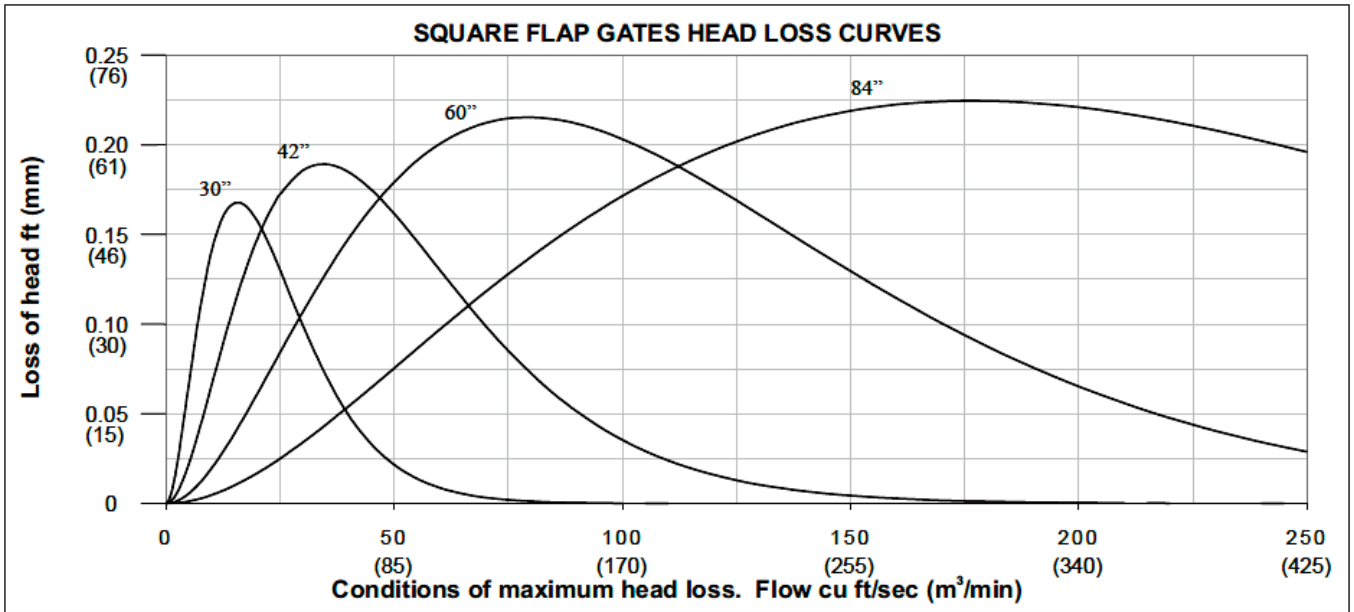
Figure 70-03



Detail 70-03  
On the face of a concrete wall (CW)



Detail 70-04  
On a wall thimble (WT)



### **Head office**

20, Route de Windsor  
Sherbrooke, Quebec Canada  
J1C 0E5

### **Fontaine-Aquanox Plant**

4065 Blvd. Portland,  
Sherbrooke, Quebec Canada  
J1L 1X9

### **Contact**

1 855 769-0157  
[info@ISEaquanox.com](mailto:info@ISEaquanox.com)  
[www.ISEaquanox.com](http://www.ISEaquanox.com)

